

ZEMOTE

Switch to Smart

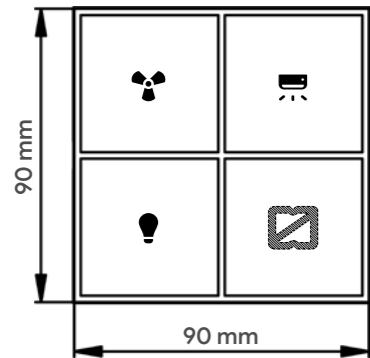
Touch Switches Technical Manual

- 2 Module
- 3 Module
- 4 Module
- 6 Module
- 8 Module

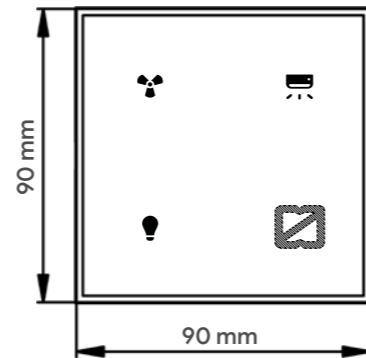


2 Module

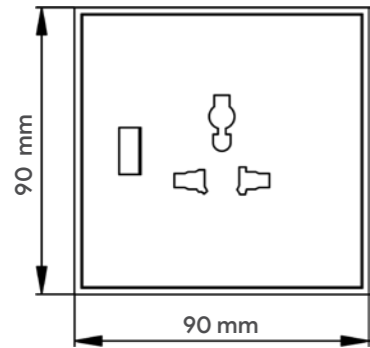
Measurements



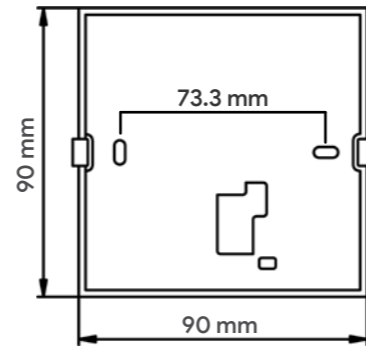
2 Module Poly



2 Module Plain



2 Module Socket



2 Module Back Cover

Technical Specifications

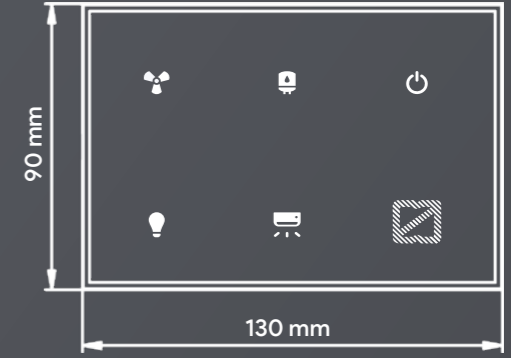
Compatible with	Universal 2 modular electrical box
Number of touch points(with socket)	0
Number of touch points(without socket)	3
USB port output (with socket)	5V DC 2A
Maximum Zemote blocks support	4 (Including power supply)
Communication	WiFi 2.4Ghz b/g/n

3 Module

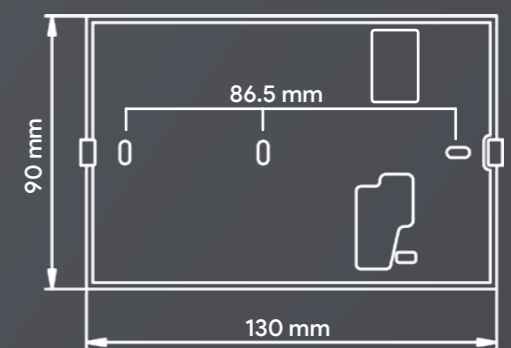
Measurements



3 Module Poly



3 Module Plain



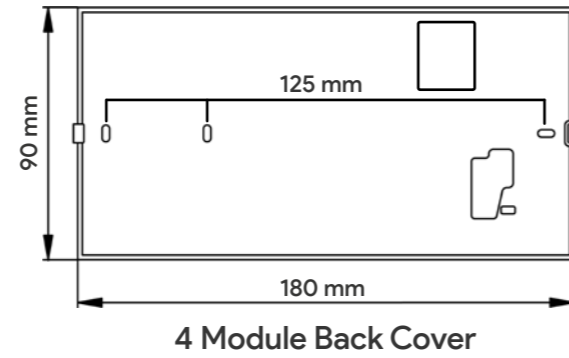
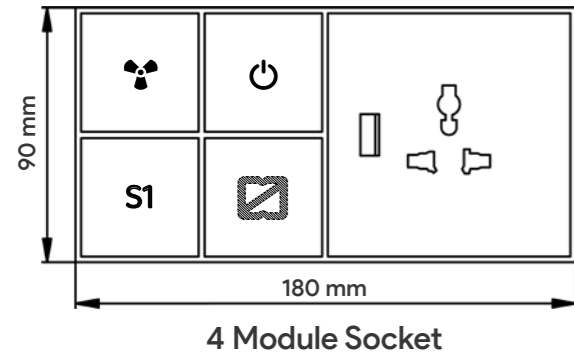
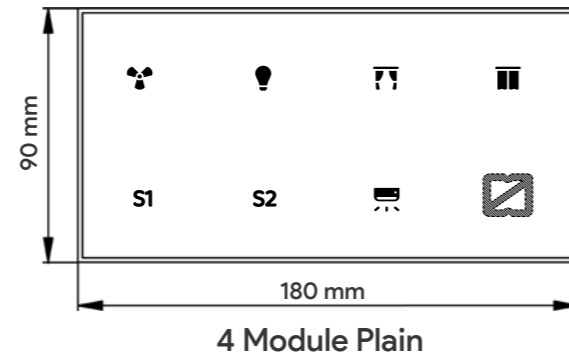
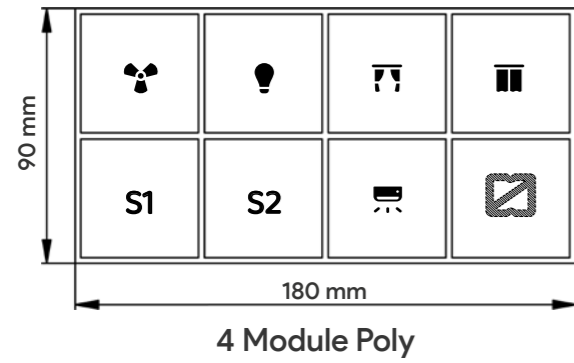
3 Module Back Cover

Technical Specifications

Compatible with	Universal 3 modular electrical box
Number of touch points(without socket)	5
USB port output (with socket)	N/A
Maximum zemote blocks support	6 (Including power supply)
Communication	WiFi 2.4Ghz b/g/n

4 Module

Measurements

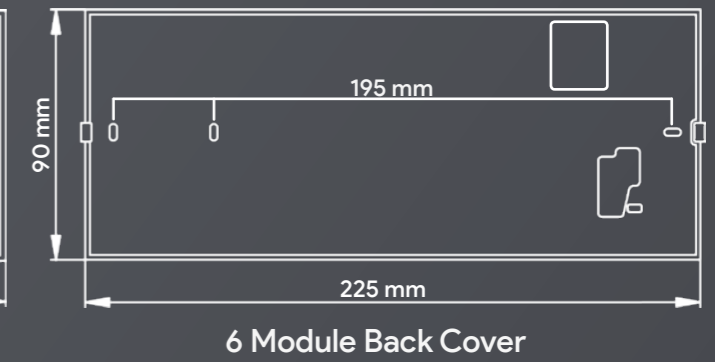
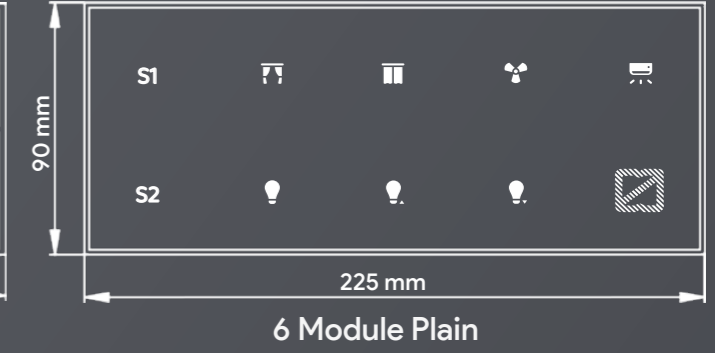
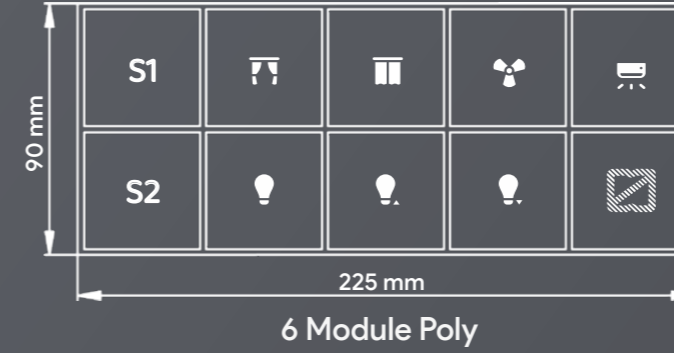


Technical Specifications

Compatible with	Universal 4 modular electrical box
Number of touch points(with socket)	3
Number of touch points(without socket)	7
USB port output (with socket)	5V DC 2A
Maximum Zemote blocks support	8 (Including power supply)
Communication	WiFi 2.4Ghz b/g/n

6 Module

Measurements

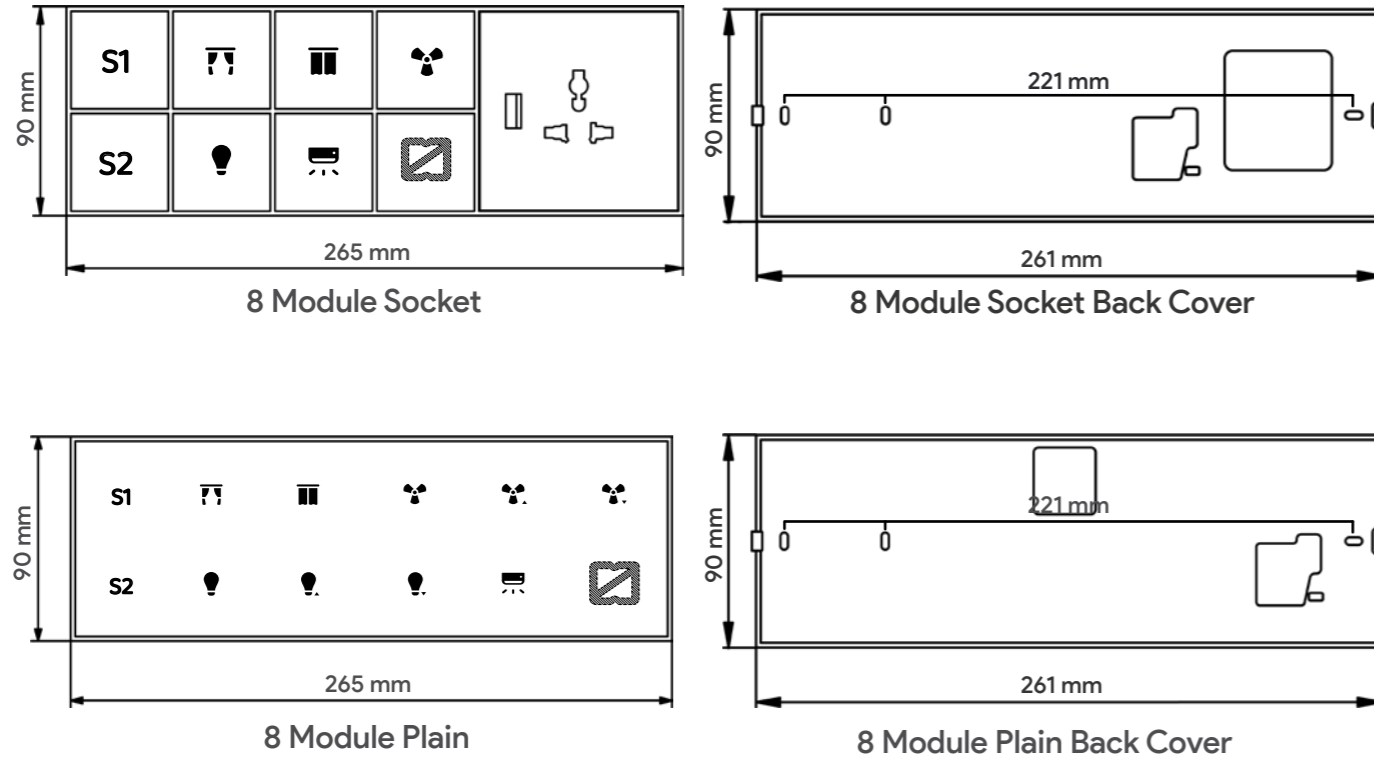


Technical Specifications

Compatible with	Universal 6 modular electrical box
Number of touch points(with socket)	5
Number of touch points(without socket)	9
USB port output (with socket)	5V DC 2A
Maximum Zemote blocks support	10 (Including power supply)
Communication	WiFi 2.4Ghz b/g/n

8 Module

Measurements



Technical Specifications

Compatible with	Universal 6 and 8 modular electrical box
Number of touch points(with socket)	7
Number of touch points(without socket)	11
USB port output (with socket)	5V DC 2A
Maximum Zemote blocks support	12 (Including power supply)
Communication	WiFi 2.4Ghz b/g/n

