

Smart Door Lock

Zemote Smart Door Locks help you fortify your home with ease. It has an inbuilt Finger-Print sensor and a touch keypad for coded locking. The Smart Door Lock secures your home and looks good doing it.



Wireless Unlocking Enabled

Zemote Smart Door Locks are IoT enabled, which means that you can unlock your home remotely with your smart phone. Set specific time slot access for your domestic help, or grant access to your guests. Receive real-time notifications of your door unlocking on your mobile device, made possible with the Zemote app.



Your "Door Lock" has
been unlocked by Mom



Smart Door Lock Model FS01



About

Zemote Smart Door Lock is an IoT enabled wireless lock that locks/unlocks your home remotely with your smartphone. It supports unlocking by fingerprint, touchpad pass-code and a mechanical key. Provide temporary or one-time access to your guests and time-bound access to domestic help, enabling access with specified time slots. Now with Zemote locks, forget memorising passcodes, with total access within the Zemote app, including entry logs to your home.

Features

- Stainless steel lock body with 1 spring-loaded latch, 3 bolts and 1 deadbolt from inside
- Unlock notifications, logs and failed retry timeout for added security
- Temporary and timebound access for guests and domestic help
- IoT enabled through a gateway module with VDP input
- Vacation mode to disable smart features and passage mode to stay unlocked at all times
- Runs on AA batteries, with battery life spanning up to 1 year
- Backup power option from outside, in case battery runs out
- Digitally safe with powerful encryption and TLS 1.2 certificate-based authentication

Measurements



Strong stainless steel lock body

Mechanical key access for backup

Fingerprint and pass-code access

Premium finishes and textures

Lock IoT module

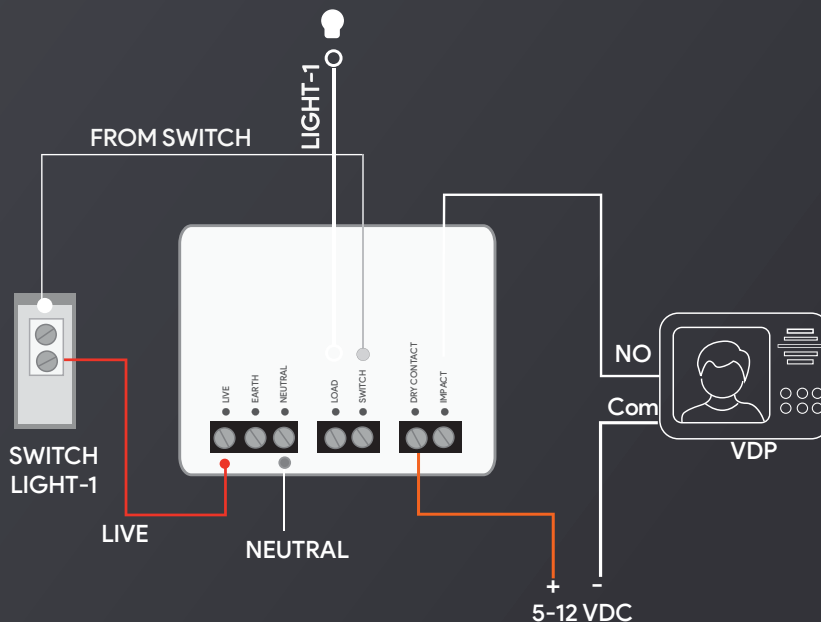


Automatically turn on a light after door unlock

Technical Specifications

| | |
|---------------------------------------|---------------------------------|
| Operating input voltage(gateway) | 90 - 240 VAC |
| Number of channels(gateway) | 1 (150 Watts max) |
| Dry contact input voltage for VDP | 5 to 12 VDC |
| Communication protocol | WiFi 2.4Ghz b/g/n & BLE |
| Operating input voltage(lock) | 4 x AA batteries & 5 VDC backup |
| Maximum no. of users | 99 users |
| Max distance between gateway and lock | 2 meter line of sight |
| Available in two colours | Silver, Copper |

Wiring Diagram



Smart Door Lock Model FB02



About

Zemote Smart Lock can be installed on any wooden door, enabling you to control the door lock from the app. Providing a completely wireless solution that runs on batteries, the Smart Lock comes with a Light Module, which can be configured to turn on a light when you unlock the door. It is compatible with a third-party video door phone and can trigger unlock with it. The lock has a unique Fail-Safe feature ensuring your door lock will always work using the mechanical key input. The device has a backup power port on the outside in case of battery discharge.

Features

- Stainless steel lock body with 1 spring-loaded latch, 3 bolts and 1 deadbolt from inside
- Unlock notification, logs and failed retry timeout for added security
- Temporary and timebound access for guests and domestic help
- IoT enabled through a gateway module with VDP input
- Vacation mode to disable smart features and passage mode to stay unlocked at all times
- Runs on AA batteries, with battery life spanning up to 1 year
- Backup power option from outside, in case battery runs out
- Digitally safe with powerful encryption and TLS 1.2 certificate-based authentication

Measurements



In-handle Fingerprint for ease of access

Mechanical key access for backup

Unlock logs and real time notifications

Durable premium stainless steel body

Lock IoT module



VDP input to unlock from third party video door phone

Technical Specifications

| | |
|---------------------------------------|---------------------------------|
| Operating input voltage(gateway) | 90 - 240 VAC |
| Number of channels(gateway) | 1 (150 Watts max) |
| Dry contact input voltage for VDP | 5 to 12 VDC |
| Communication protocol | WiFi 2.4Ghz b/g/n & BLE 4.0 |
| Operating input voltage(lock) | 4 x AA batteries & 5 VDC backup |
| Maximum no. of users | 99 users |
| Max distance between gateway and lock | 1 meter line of sight |
| Colour | Matte black |

App Control

