

Zemote Smart Homes

Home is the most important place in the world. At Zemote, we continuously strive to develop a system that makes your home more comfortable and secure. Zemote Devices ensure a convenient home setup where appliances and devices can be controlled remotely using a mobile device or voice commands from anywhere.

In the age of smart devices, Zemote brings to you the latest innovation in collating control of various home appliances on a single platform, creating an interactive environment at your fingertips.

Zemote makes your home significantly versatile in ways you would never have imagined. The chart below depicts some of our core features which should make Zemote an ideal choice for your home.



Complete Home Automation

Retrofit
For existing switches



Curtain Control

Audio/Video Control

Motion Detector

Air Quality
Sensor

AC Control

Lighting Control

Lighting automation
For LED and Strip Lights



Door Lock and Sensor

Smart Door Locks



Smoke
Detector

Gas Leak
Detector

Touch Switches



Smart Sensors



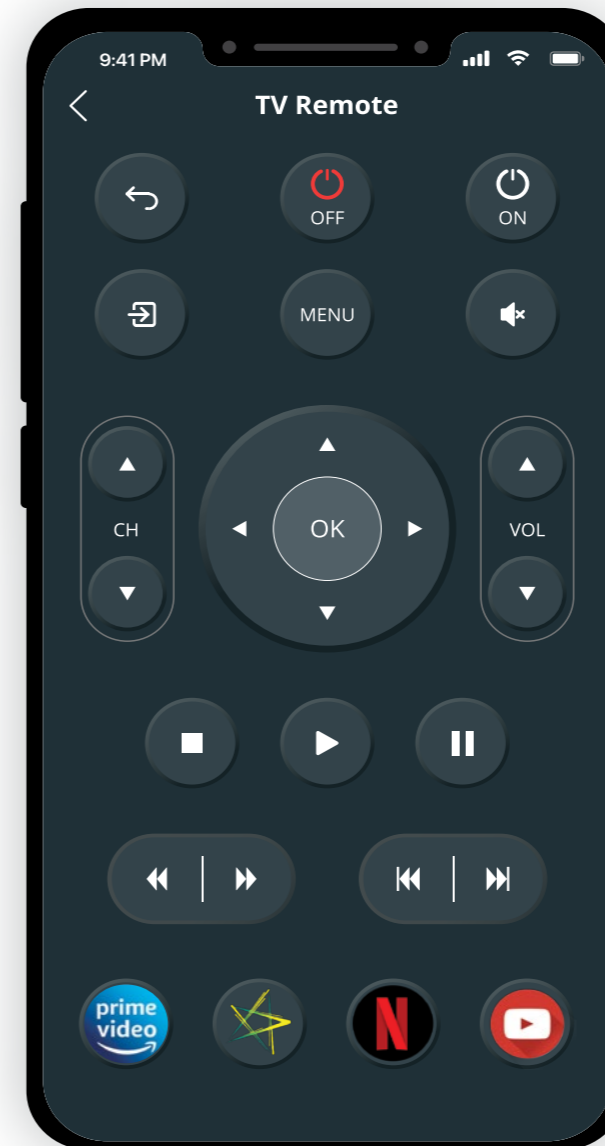
One platform to control everything

Do you often find yourself wondering if you switched that light off?

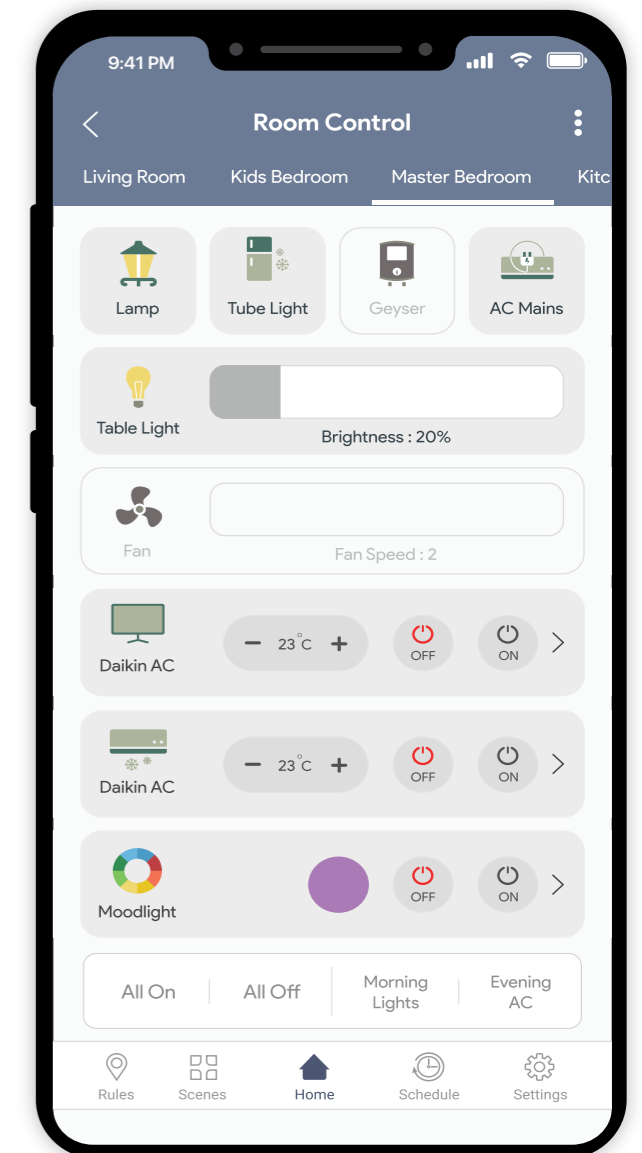
Don't worry, now with Zemote products you can completely control your entire home at your fingertips. All your home appliances can be controlled with a single automated platform. The Zemote App is a one-stop solution for all your home automation needs.



Zemote App



Zemote app is carefully crafted across 5 years of rigorous technical research and design iterations. This makes Zemote the ideal home automation solution.



Your comfort is just a single touch away, the Zemote app supports both iOS and Android platforms. We keep rolling out regular updates offering you a well designed user interface and seamless user experience.

Intelligent Suggestions for you

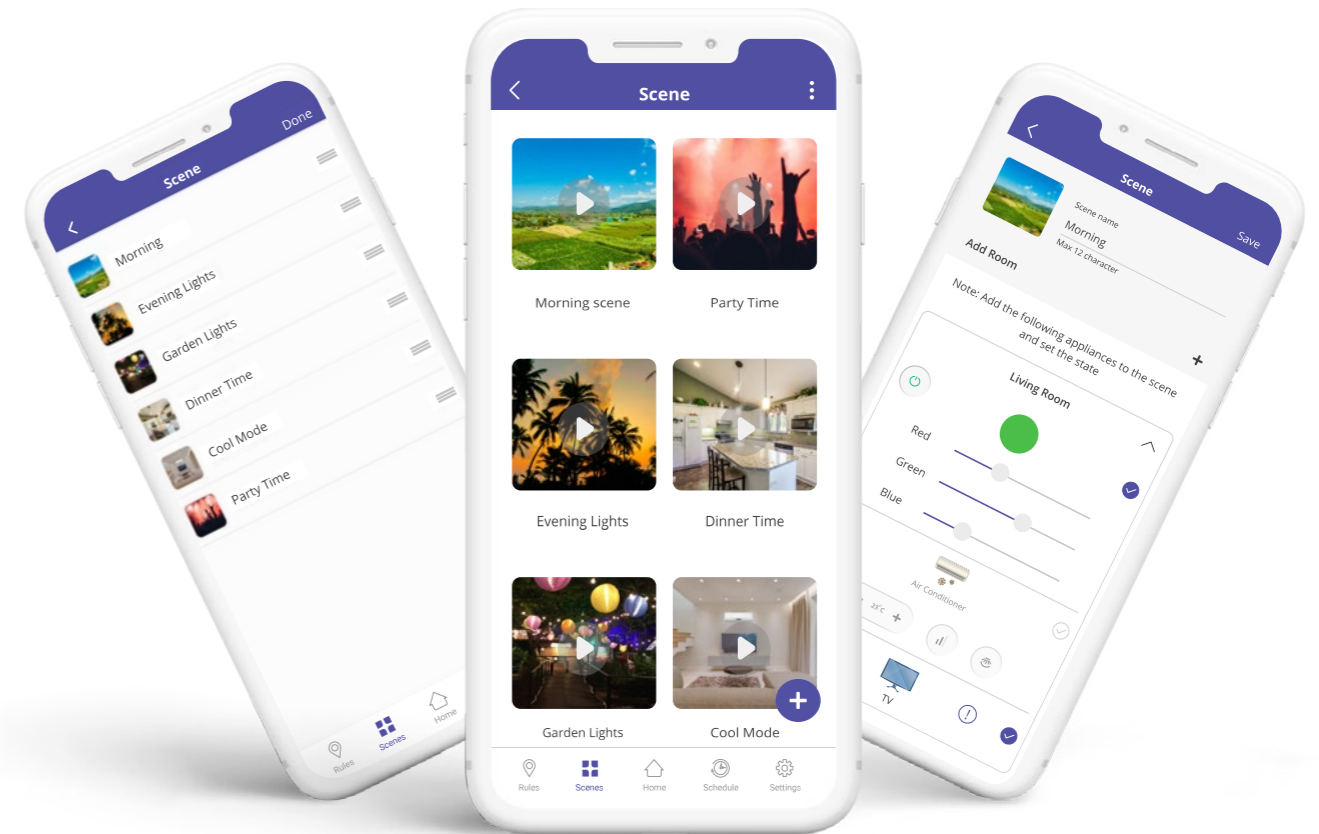
Let the app do the work for you. Zemote notices your usage, analyzes it and complements you with suggestions that makes the app user friendly and help you save energy.

Our app is powered by AI, giving you smart app suggestions based on your preferences. Take charge of your home appliances for a smarter, more convenient way of living.

Create your own Automated Scenes

The scene function allows you to club multiple tasks together and initiate them with a single tap or voice command. For example, turn off all the lights of your home or set your home theater room to movie mode with a single tap.

The UI of our app offers over 10 different themes suited for the user. Each theme offers an unlimited choices of images and customizable widgets, to help personalize the in-app experience.



Different rooms are named different for a reason

Zemote allows you to customize and configure each room according to your convenience. Organize and quickly access your most used appliances or lights with the help of our user friendly app.

Customize the app - Zemote allows you to take photos of your room and set them as icons, giving you the freedom to change the in-app layout.



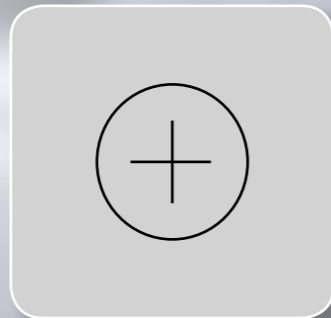
TV Room



Bed Room



Study Room

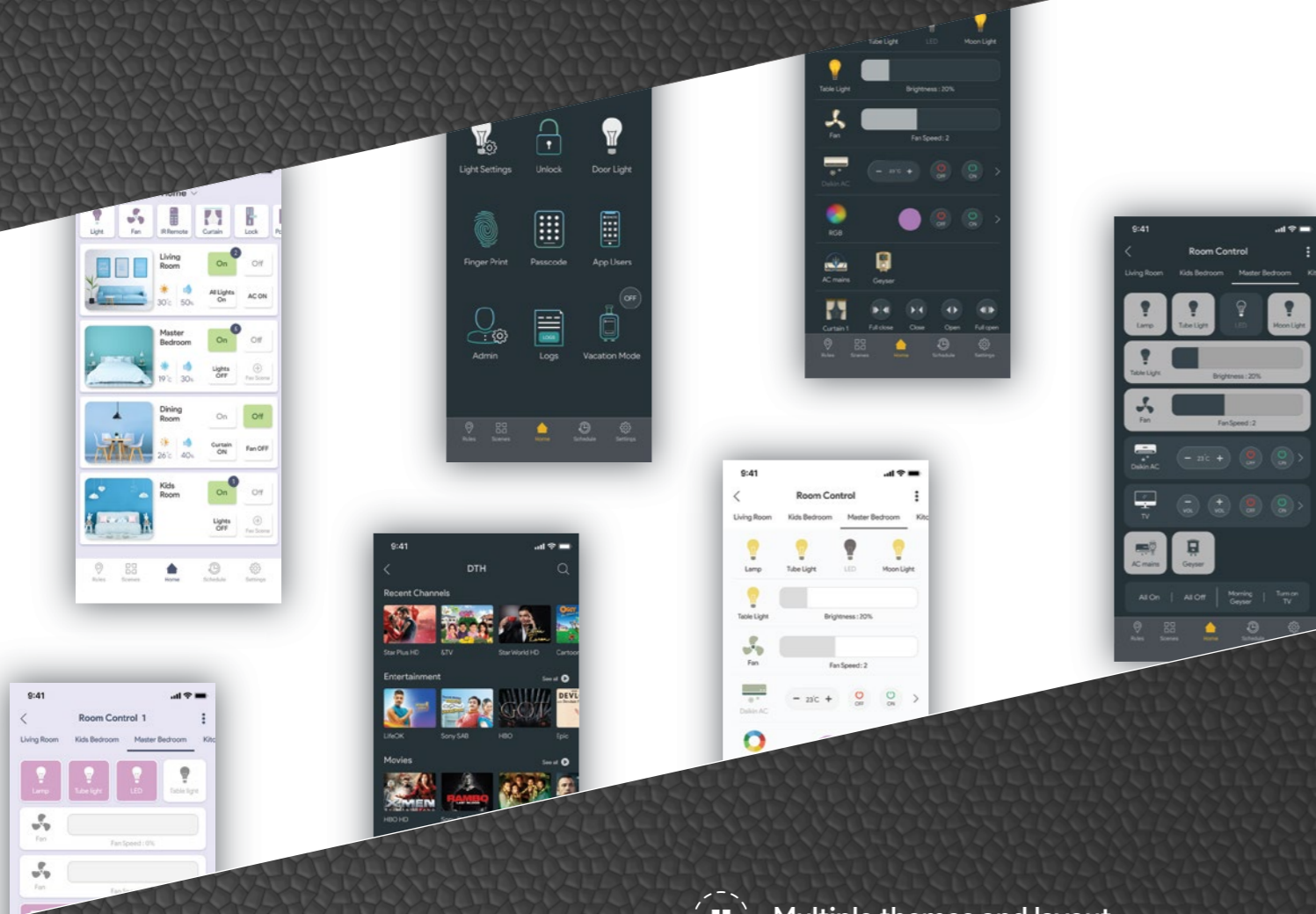


Add Image



Zemote App

- Appliance usage logs
- Custom room images
- Complete DTH guide



- Multiple themes and layout
- Schedule your appliances and scenes
- Full control with a single tap
- Link multiple Zemote IDs

Voice Access

Zemote offers you the comfort of controlling all your home appliances with voice commands. Ask Alexa or Google to turn on/off your appliances or execute a scene.



Voice Controlled Automation



Support Scenes & Routines



Ease of Access



Quick & Fast Response Time

Compatibility

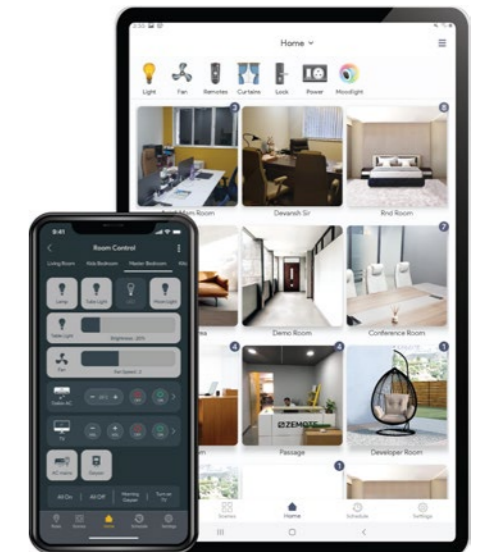
Zemote app is available on the Google Play Store and the Apple AppStore.



Android



iOS



Retrofit Automation

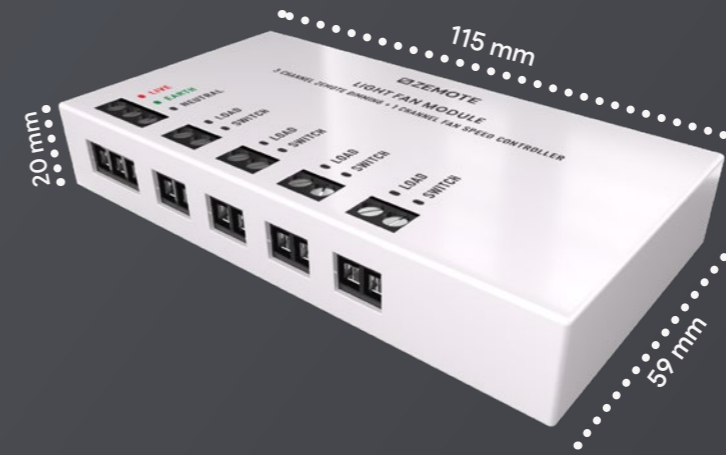
No Rewiring, No Hassle, Smartness Everywhere.



Light And Fan Module



Measurements



10 Minute installation time

Controls all types of light

5 Speed fan control

Noise free

About

This sleek device goes inside the existing switchboard without any changes to the wiring, providing you control of your appliances. You can control your lights and fan speed, while keeping the original switches functional.

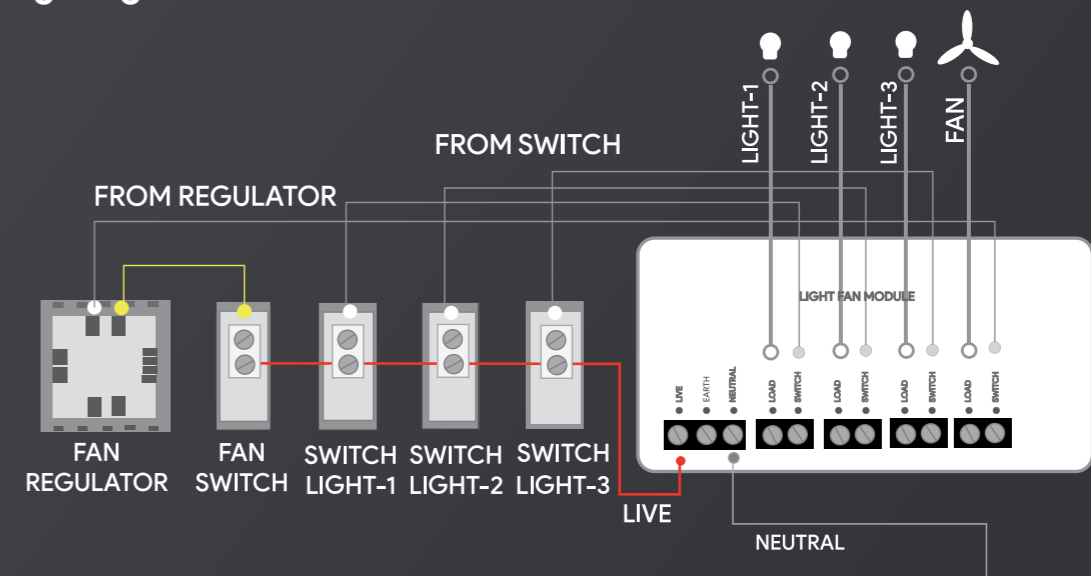
Technical Specifications

| | |
|----------------------------------|---|
| Operating input voltage | 90 - 240 VAC |
| Number of channels | 3 lights + 1 fan |
| Maximum power output per channel | 150 Watts |
| Security | TLS 1.2; Certificate based authentication with server |
| Fail Safe Technology | Yes |
| Communication protocol | Wi-Fi 2.4 Ghz (802.11b/g/n) |

Features

- Available in two variants - Zemote dimmable version and Non-dimmable version
- Proprietary Fail Safe Technology- Your existing switches will always work
- Noise free
- Flicker-free light dimming
- Dimming works with Zemote dimmable LED drivers
- 5 Fan speed control from the App and physical regulator

Wiring Diagram



Light Module Zemote Dimmable



100% >>> 5%
Dimming

2 Lights

Measurements



Control any type or group of lights

5-100% Dimming of any LED lights

Fail-Safe Technology

Schedule work without internet

About

Do you feel that LED lights are too bright for your comfort?

Zemote light dimming modules can dim any LED light in combination with Zemote dimmable drivers and thus transform your room's environment to one of zen and peace with a single touch.

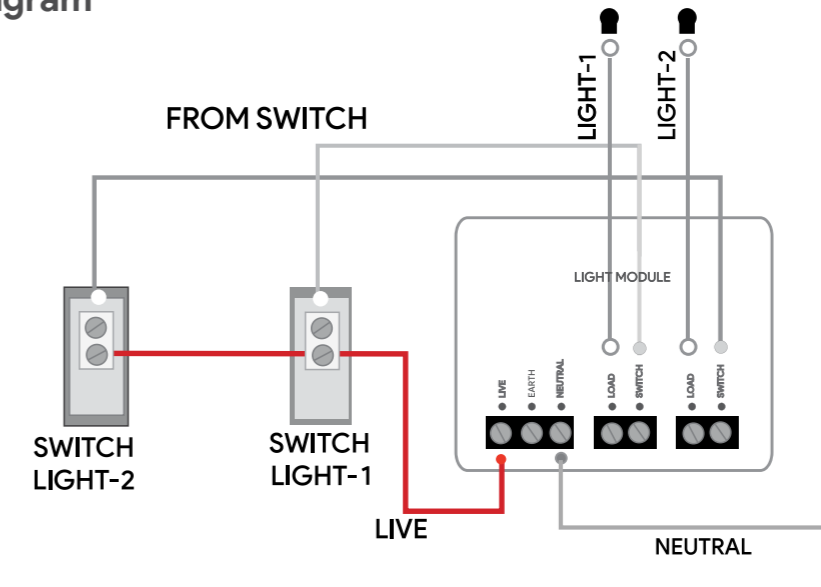
Features

- Proprietary Fail Safe Technology- Your existing switches will always work
- Flicker free light dimming
- Control remotely
- Dimming works with Zemote dimmable LED drivers
- Sleek module fits behind a single switch module box
- Dimming works with regular and existing wiring

Technical Specifications

| | |
|----------------------------------|---|
| Operating input voltage | 90 - 240 VAC |
| Number of channels | 2 Lights |
| Maximum power output per channel | 150 Watts |
| Security | TLS 1.2; Certificate based authentication with server |
| Fail Safe Technology | Yes |
| Communication protocol | Wi-Fi 2.4 Ghz (802.11b/g/n) |

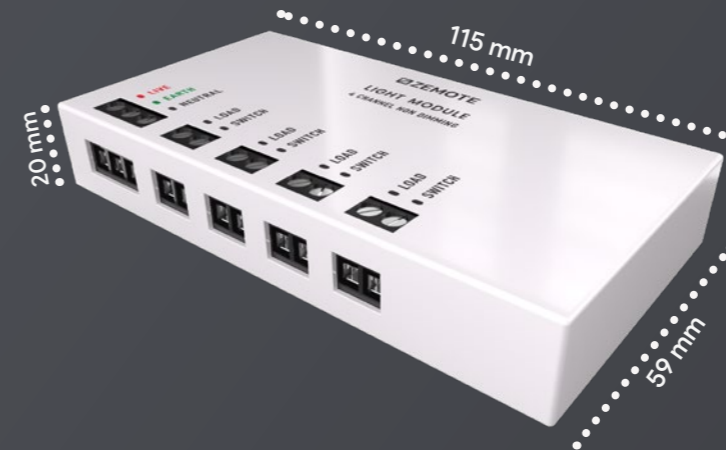
Wiring Diagram



Light Module 2/4 Channel Non-Dimming



Measurements



- Control any type or group of lights
- Available in 2/4 channel variants
- Fast installation and response time
- Fits behind any switchboard

About

These minimalistic devices are an essential for your home automation system. Equipped with just the on/off feature of upto four appliances, these modules can be used to control your lights, fans, refrigerators, 5A wall socket and other appliances through the Zemote app.

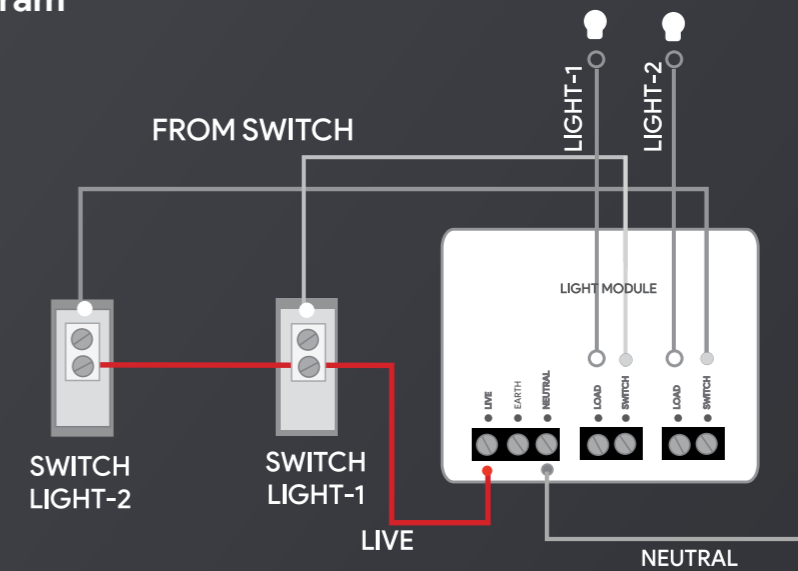
Technical Specifications

| | |
|----------------------------------|---|
| Operating input voltage | 90 - 240 VAC |
| Number of channels | 2/4 lights |
| Maximum power output per channel | 150 Watts |
| Security | TLS 1.2; Certificate based authentication with server |
| Fail Safe Technology | No |
| Communication protocol | Wi-Fi 2.4 Ghz (802.11b/g/n) |

Features

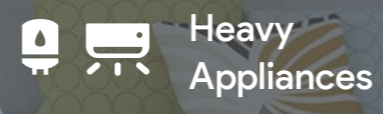
- Supports On/Off operation of lights and other loads
- Control remotely
- Response time of less than a second
- No rewiring required
- Most affordable product with 5 year warranty
- Supports Schedules, Scenes and all features of Zemote App

Wiring Diagram



Power Module Controls heavy appliances

Control all your heavy duty appliances



Measurements



- Monitor energy usage on Zemote App
- Control power of heavy loads
- Set schedules for power saving
- Sleek module designed for better fitting

About

Heavy duty appliances incur higher electricity bills. This heavy duty module is used to turn on/off high power appliances like water heaters, pump motors, AC power mains etc. Smartly control and schedule appliances and see significant savings in your monthly power bills.

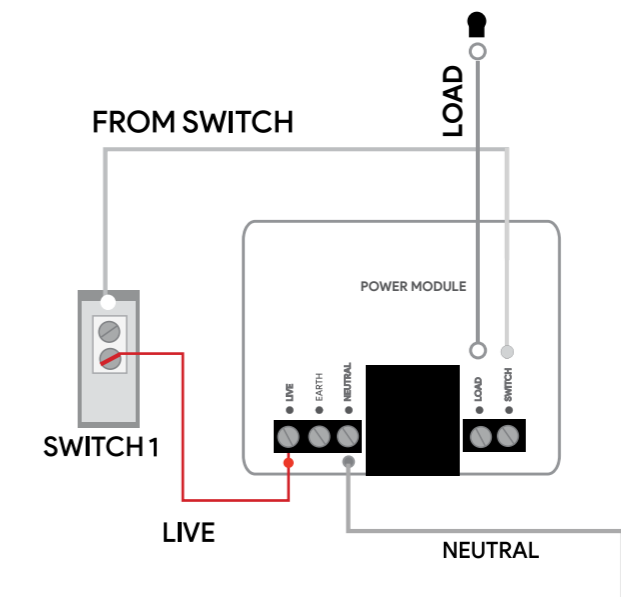
Features

- Available in two variants - Fail-safe enabled version and Lite version
- Control remotely
- Tracks energy consumption accurately
- Support relative scheduling to automatically turn off appliances after a fixed time
- Physical switches work as usual with no change in wiring
- Easy and quick installation

Technical Specifications

| | |
|----------------------------------|---|
| Operating input voltage | 90 - 240 VAC |
| Number of channels | 1 |
| Maximum power output per channel | 3000 Watts |
| Security | TLS 1.2; Certificate based authentication with server |
| Fail Safe Technology | Yes |
| Communication protocol | Wi-Fi 2.4 Ghz (802.11b/g/n) |

Wiring Diagram



Light Module Triac Dimming



About

Specially designed to be used with LED drivers which are compatible with Triac dimming technology to set the dimming level using the Zemote App. It can be used to dim incandescent lamps and provide an ambient environment for your home. Triac technology comes with its own limitations, it is advised to go for proprietary Zemote Dimming technology for optimum dimming levels.

Features

- Control intensity of Triac dimmable lights
- Control remotely
- Adjustable dimming range for flicker free experience
- No rewiring required, retrofits in any existing home
- Inbuilt function of natural soft start and soft stop
- Easy and quick installation

Measurements

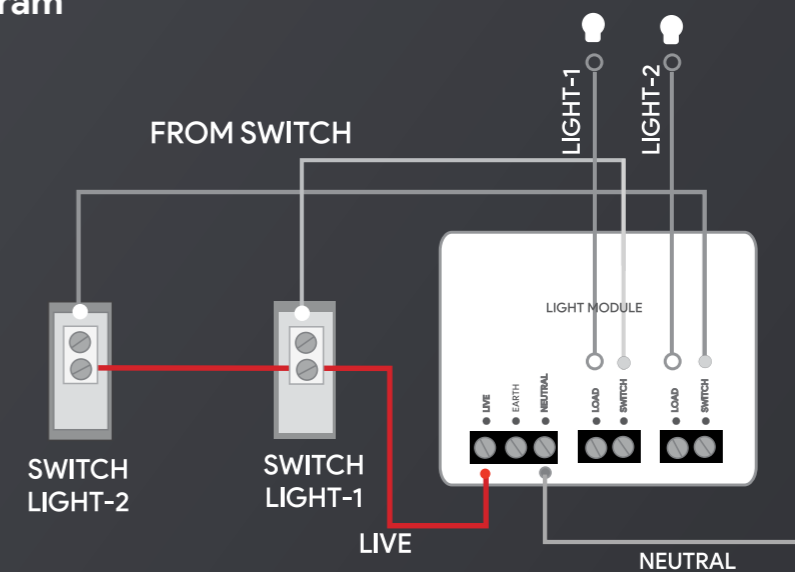


- For lights which support Triac dimming
- Bright bulbs which support Triac dimming
- Adjust dimming sensitivity through app
- Flicker free Triac dimming with step control

Technical Specifications


| | |
|----------------------------------|---|
| Operating input voltage | 90 - 240 VAC |
| Number of channels | 2 lights |
| Maximum power output per channel | 60 Watts |
| Security | TLS 1.2; Certificate based authentication with server |
| Triac dimming support | Leading edge drivers supported |
| Communication protocol | Wi-Fi 2.4 Ghz (802.11b/g/n) |

Wiring Diagram



Curtain Controller 2 and 4 Channel



 2/4 channel
Curtain Control

Measurements



Control motorized curtains and blinds

Ideal for theater screens, projectors

Perfect for creating morning routines

Ideal for offices and conference rooms

About

Schedule your curtains to open with your alarm clock. Curtain controllers from Zemote provide you with complete automation solutions for window curtains, projectors and home theatre screens via Zemote app or voice commands. Also compatible with physical switches, these products are designed for convenience.

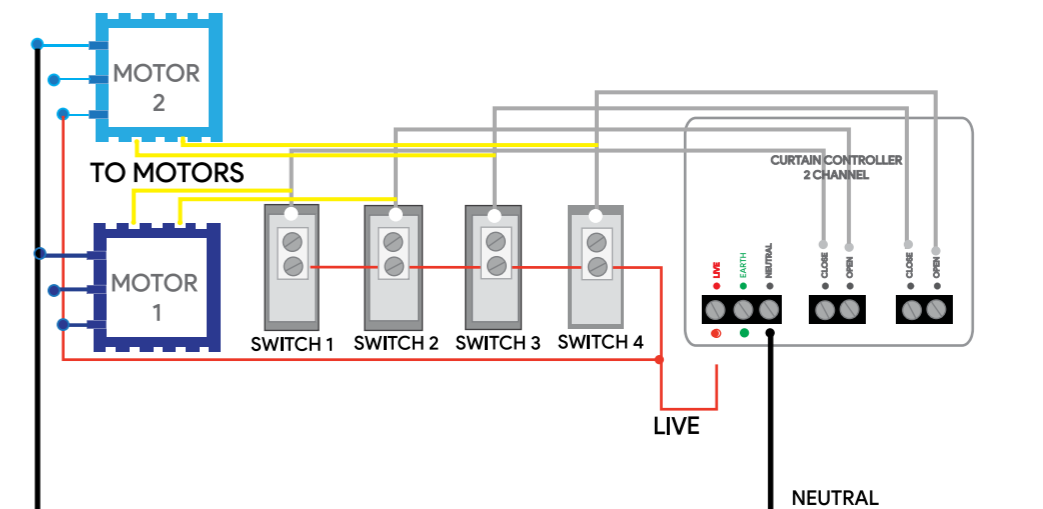
Features

- Control upto 4 motorized curtains
- Create schedules and scenes as per your convenience
- Can be used with sliding doors and motorized main gates
- Can be used in conference rooms with automated projector screens
- Integrate with physical switches for manual control
- Fast and quick response time and single click action for operating curtains

Technical Specifications

| | |
|--|---|
| Operating input voltage | 90 - 240 VAC |
| Number of motorized curtain supported | 2/4 channel |
| Compatible Motor type | 3 wire AC powered curtain motors |
| Not compatible with | Inbuilt RF or IR remote curtain motor |
| Maximum per channel load output | 150 Watts |
| Manual operation via physical switches | Yes, can be integrated to take input from any external switches |

Wiring Diagram



Dry Contact Module



Measurements



- Include third-party sensor in Zemote app
- Integrate motion sensors/security system
- Enable/Disable linking from Zemote app
- Works via internet to set triggered scenes

About

Dry contact or NO/NC module is used to integrate third party sensors and products into the Zemote automation system. It can be programmed to trigger specific scenes or turn on/off any appliance with a specific signal. For example, a third party motion detection sensor, can trigger passage lights to turn on. Another common application is to integrate DC type touch switches.

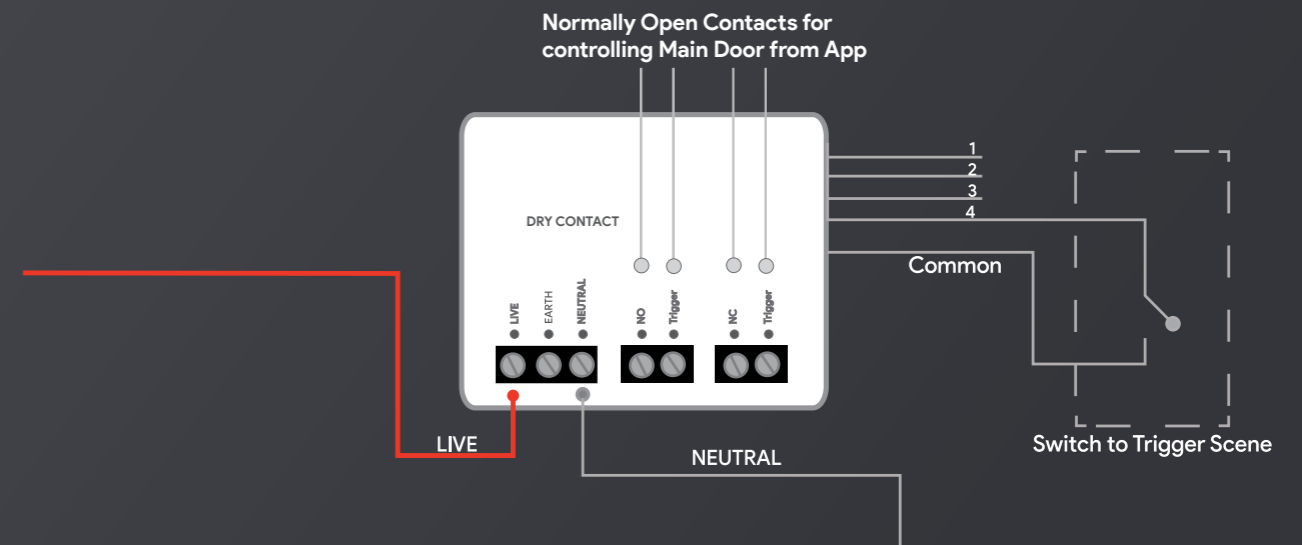
Features

- 4 NO/NC inputs for scene execution from external trigger
- 2 dry contact set to trigger external NO/NC output from Zemote app
- Simple wiring and configuration via Zemote App
- Turn any switchboard into a scene switch
- Integrate other smart products to control everything from one app
- Easy integration with third party products

Technical Specifications

| | |
|-----------------------------------|---|
| Operating input voltage | 90 - 240 VAC |
| Number of input NO/AC channels | 4 |
| Number of output trigger channels | 2 |
| Security | TLS 1.2; Certificate based authentication with server |
| Output voltage level | 5VDC |
| Communication protocol | Wi-Fi 2.4 Ghz (802.11b/g/n) |

Wiring Diagram



Retrofit LED Drivers

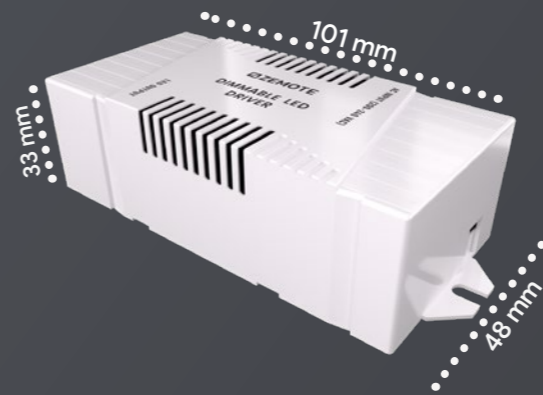
Our Retrofit LED Drivers enable you to set the perfect ambience.



Dimmable LED Drivers 1/2 Channel



Measurements



Flicker free and smooth dimming of lights

Set custom colour temperature from app

Latest dimming technique in the market

Works with Zemote products only

About

Set the brightness level of any room to the right amount using these LED drivers. Zemote dimmable LED driver can turn every LED light in your house into a dimmable light, giving finely tuned control of brightness from the Zemote app. These drivers can also control dual colour tunable lights to set the temperature of light along with brightness.

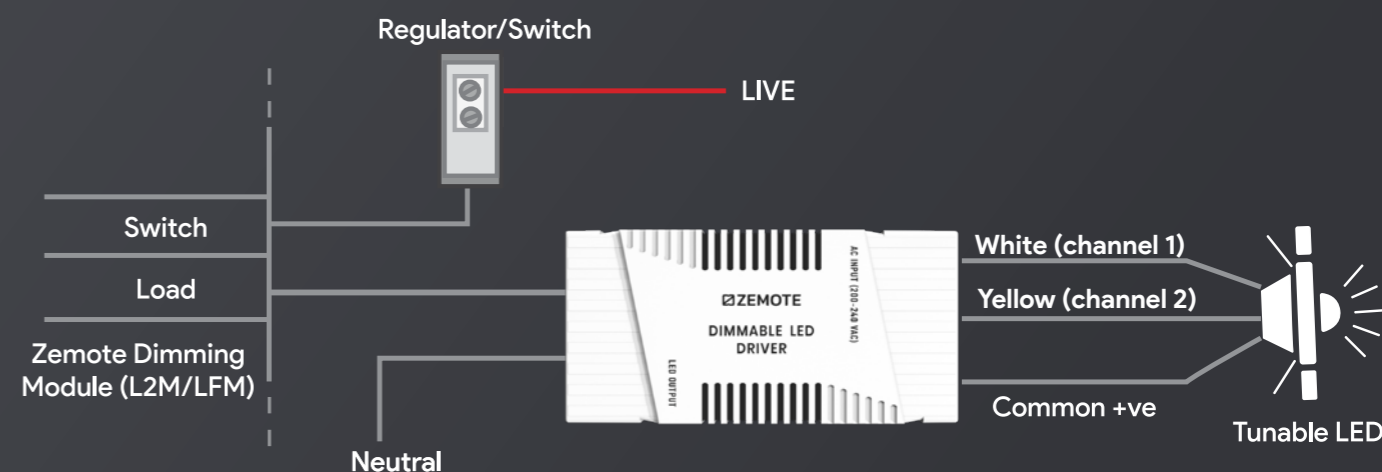
Features

- Flicker free 15 levels of dimming
- Set colour temperature from app with tunable LED
- Works with Zemote dimming modules
- Proprietary Zemote dimming technology
- No additional wiring required
- Turns any LED light with external driver into a dimmable light

Technical Specifications

| | |
|--------------------------------------|---|
| Operating input voltage | 90 - 240 VAC |
| Number of channels | 1/2 common anode channels |
| Maximum power output both channels | 36 Watts |
| Maximum current output both channels | 1 A |
| Compatibility | LED with external driver |
| Only works with | Zemote products which have Zemote dimming provision |

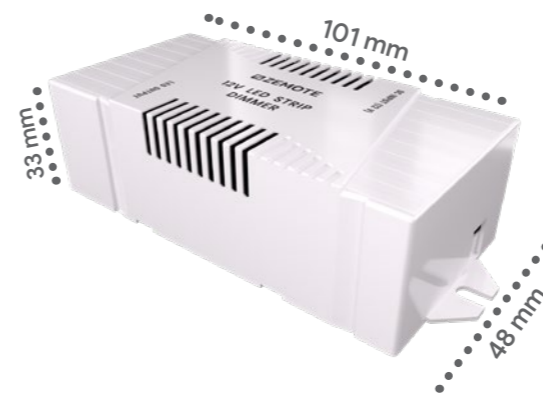
Wiring Diagram



Led Strip Dimmer - 1 Channel RGB Dimmer - 3 Channels



Measurements



Remotely control colours from the app

Standalone product, no rewiring

Works with voice control

Perfect for creating mood lights

About

Create the right ambience for each moment and turn your everyday lighting into an extraordinary experience. Set brightness and hue to play with colours and choose from a spectrum of a million colours. Our 1/3 colour module works with LED strip lights and turns your home whatever you wish it to be.

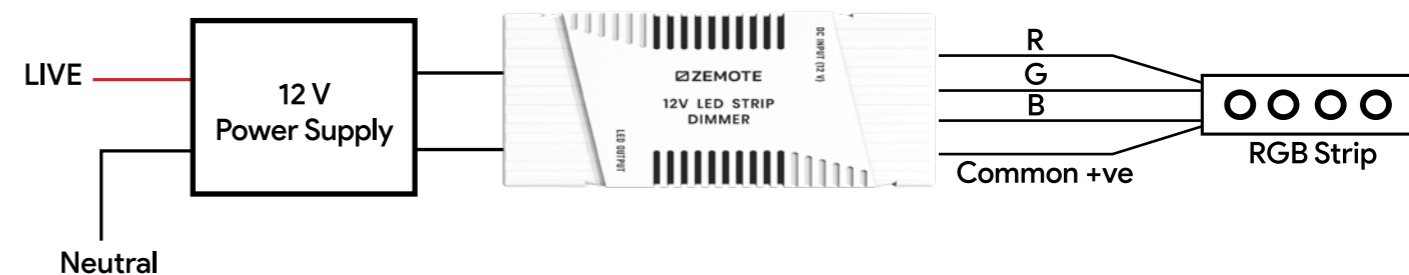
Features

- Smooth colour control from app
- Control from anywhere
- Standalone light automation without rewiring
- Voice control for colour change
- Easy Installation

Technical Specifications

| | |
|----------------------------------|--|
| Operating input voltage | 12 VDC |
| Number of channels | 1/3 channels |
| Maximum power output per channel | 50 Watts, 512 Kbps and above |
| Security | TLS 1.2;Certificate based authentication with server |
| Dimming method | PWM control |
| Communication protocol | WiFi 2.4Ghz b/g/n |

Wiring Diagram



Smart Universal Remote

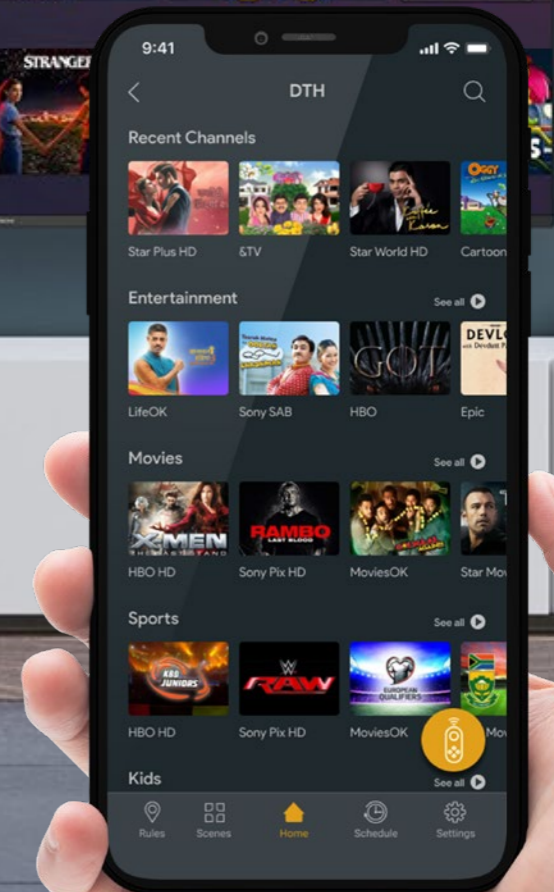
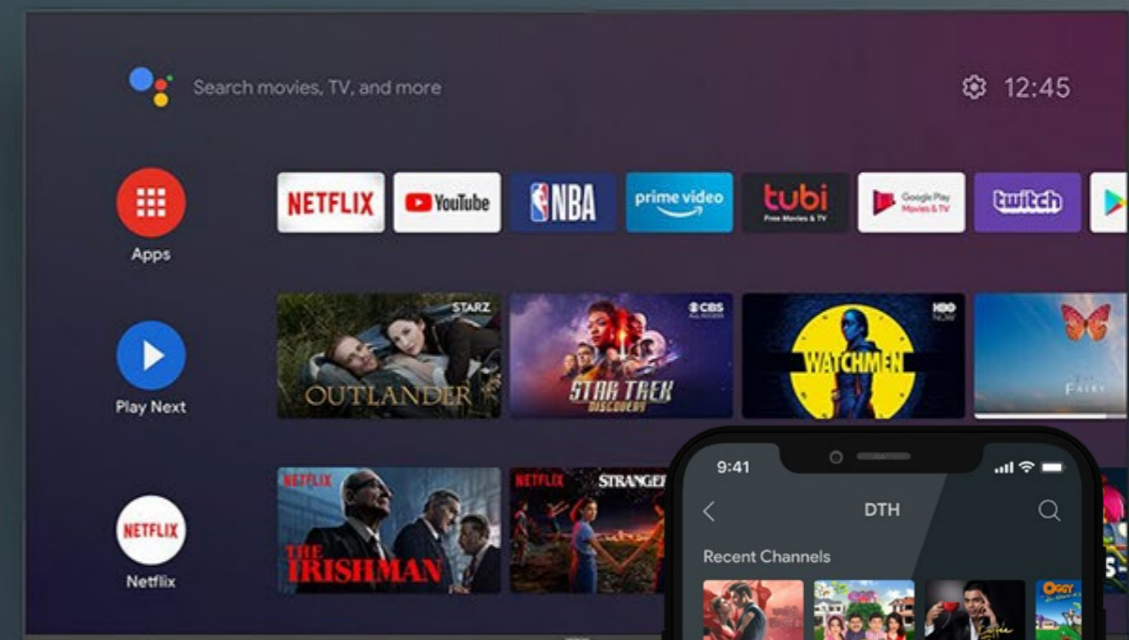
Control your home with ease with our latest Smart Universal Remotes.



Control on your Fingertips

One remote to control it all. Now with the help of our Smart Universal Remote (SUR) devices, take control of all Infrared based remotes from your mobile devices.

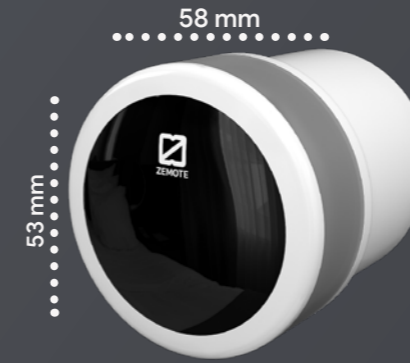
Get access to the complete programme list of all major DTH operators in the Zemote app and switch to any channel instantly.



Smart Universal Remote



Measurements



SUR Plug and Play smart device

Inbuilt RGB Moodlight

Long transmission range support

Fast and quick response time

About

Smart Universal Remote gives you the control of any IR based remote on your Zemote app. One device can save you the hassle of managing many remotes for each of your appliances. Automate any existing AC, TV, DTH, Home theatres, Projectors or any other IR based appliances.

Features

- Long range and no line of sight necessary
- Inbuilt 2 Watts RGB LED light
- Sync DTH program schedule in the Zemote app
- Plug and Play device with 2 minutes setup
- Full control of AC Temperature and Speed
- Fast response time of less than a second

Technical Specifications

| | |
|--------------------------------|--|
| Operating input voltage | 90 - 240 VAC |
| Number of IR devices supported | 10 |
| Maximum room size | 20ft by 20ft |
| Security | TLS 1.2;Certificate based authentication with server |
| Inbuilt LED voltage | 2 Watts |
| Communication protocol | WiFi 2.4Ghz b/g/n |

Appliance Control

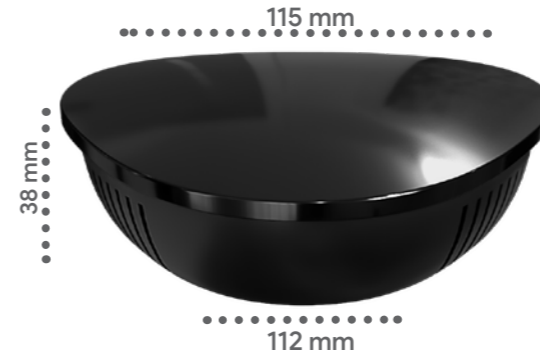


Smart Universal Remote SUR Pro



6 Wireless devices
4 Wired devices

Measurements



Ceiling or wall mount option available

Up to 4 wired channels supported

Unique modular triangular design

Long transmission range

About

This unique product can control both wireless and wired IR channels. Wired channels are used for multiple ACs of the same type in one room or for ACs of different rooms. Mounting the device in the ceiling reduces interference in IR transmission.

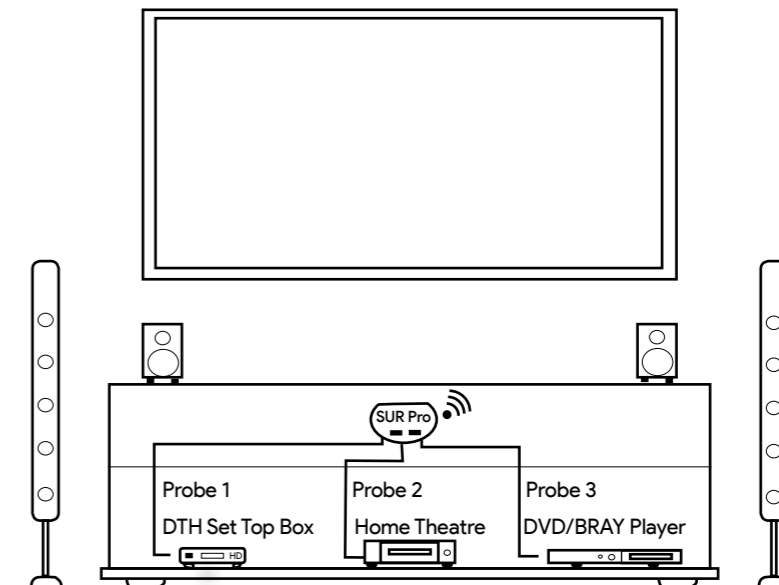
Features

- A combination of wired and wireless channels can control IR devices in separate rooms
- Control 6 wireless appliances in the room, where it is installed
- Control 4 wired channels with special wiring in different or same room
- Control 2 or more of the same devices in the same room by sending separate commands
- Wired IR probes are hidden and do not disturb the aesthetics
- Ceiling mount provision leads to a higher range with less interference

Technical Specifications

| | |
|---|--|
| Operating input voltage | 90 - 240 VAC |
| Number of IR devices supported | 6 Wireless + 4 Wired |
| Maximum length of wired channel wire | 40meters |
| Wireless channel range suitable for room size | 20ft by 20ft |
| Security | TLS 1.2;Certificate based authentication with server |
| Communication protocol | WiFi 2.4Ghz b/g/n |

Wiring Diagram

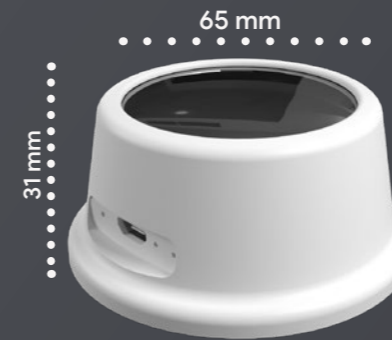


Smart Universal Remote SUR Mini

SUR Mini

 10 Wireless
Devices

Measurements



Control your AC temperature

Compatible with all TV brands

Support for Major DTH brands

Channel and programme search tab

About

The SUR Mini is a compact device in the SUR range. It can be mounted on a wall, ceiling or as a table top. It controls TV, DTH, AC, Music Systems and other IR devices.

Features

- It controls 10 IR appliances wirelessly
- Can be placed on a table or mounted on walls
- Medium range with no line of sight necessary
- Powered by external 5V micro-USB charger
- Small, sleek, plug and play device
- Value for money

Technical Specifications


| | |
|--------------------------------|--|
| Operating input voltage | 5V/1Amp |
| Number of IR devices supported | 10 |
| Maximum room size | 15ft by 15ft |
| Security | TLS 1.2;Certificate based authentication with server |
| Ceiling/Wall mounting option | Yes |
| Communication protocol | WiFi 2.4Ghz b/g/n |

Programme search feature



Smart Universal Remote SUR Wired



 4 Wired
Devices

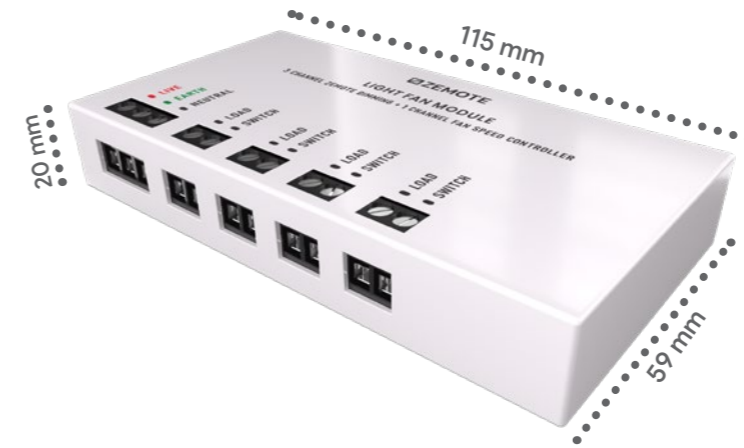
About

The SUR controls 4 wired channels. Can be concealed behind the TV for a clean, clutter-free look. Ideal for home theatres and conference rooms.

Features

- Control 4 appliances via wired IR channels
- Can be placed behind a furniture or installed above a false ceiling
- Special wiring required at time of designing your home
- Full DTH programme guide in Zemote app
- Separate control of two or more same remote ACs in one room
- Control IR appliances in different rooms

Measurements



- Special wiring required
- Up to 4 wired IR channels supported
- Infrared probes provided
- DTH support via Zemote App

Technical Specifications

| | |
|--------------------------------------|---|
| Operating input voltage | 90 - 240 VAC |
| Number of IR devices supported | 4 Wired |
| Maximum length of wired channel wire | 40 meters |
| Number of Wired IR probes provided | 4 nos. |
| Security | TLS 1.2; Certificate based authentication with server |
| Communication protocol | WiFi 2.4Ghz b/g/n |

Wiring Diagram

